

LET IT FLOW

quicker, cooler, faster...

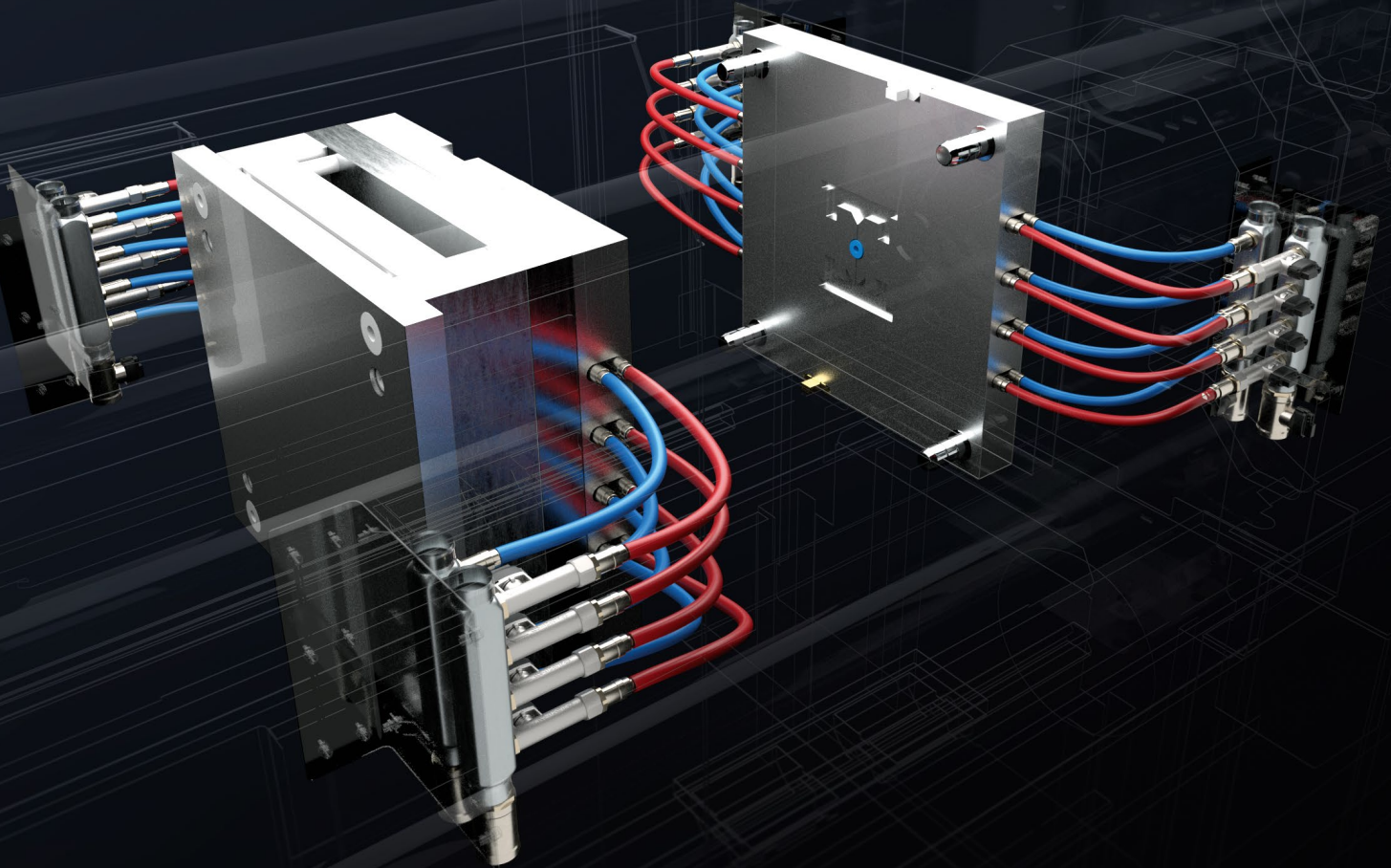


flosense[®] 2.0

DIGITAL FLOW MONITOR

MANIFOLD

Separate Stainless Steel Flow / Return
Manifolds supplied complete with sensors.



Connect up to 4 manifolds
to the touch screen in order
to monitor up to 48 separate
cooling circuits.

Use the alarm limits (and output)
on flow and temperature to control
the process stability and part
quality.



flow



temperature



pressure

TOUCH SCREEN



Upgrade your moulding machine with new digital flow regulator and improve your productivity.

Replacing traditional analogue manual flow regulators with new digital flow regulator will give you many advantages such as:

- Digital monitoring of Flow, Temperature and Pressure
- Alarm Output
- Higher flow capacity
- Higher temperature range
- Data storage and export
- Faster Mould changeovers
- OPC-UA / Euromap interface /

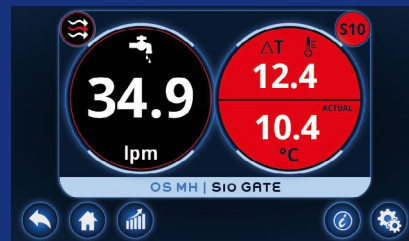
Touch Screen mounted on the manifold. Equipped with power, alarm, USB and Ethernet connections.



The main screen will show all circuits with information about flow and temperature. The main inlet and outlet will also show including pressure.



Data is stored in the internal memory and can be displayed in graphical view for each circuit. Data can also be exported for external use.





By clicking on a specific circuit you will see detailed information, including delta T (heat transfer) of the specific channel. Also, turbulent flow indicator is included.



DATE/TIME	USER	EVENT TYPE	MINIFOLD	SENSOR	ALARM
12/07/2019 15:37:00	NJR	Change to High / Low Temperature Alarm Settings	FS MH	S17	🔔
10/07/2019 06:11:45	CBS	Change to High / Low Temperature Alarm Settings	OS MH	S12	🔔
09/07/2019 09:34:28	PLR	Change to High / Low Temperature Alarm Settings	MH OS	OUTLET	🔔
09/07/2019 02:14:26	PWB	Change to High / Low Temperature Alarm Settings	OS MH	S10	🔔
09/07/2019 09:22:31	NJR	Change to High / Low Temperature Alarm Settings	FS MH	S8	🔔
14/07/2019 11:45:48	PLR	Change to High / Low Temperature Alarm Settings	MH OS	INLET	🔔
03/07/2019 14:11:57	CBS	Change to High / Low Temperature Alarm Settings	OS MH	S1	🔔

The system is equipped with Audit Log to keep track of all events including user ID tracer.

Size	Manifold inputs	Power Connection	Alarm Output	Interface
7,1"	1	12V	Yes	OPC-UA

CONSTRUCTION

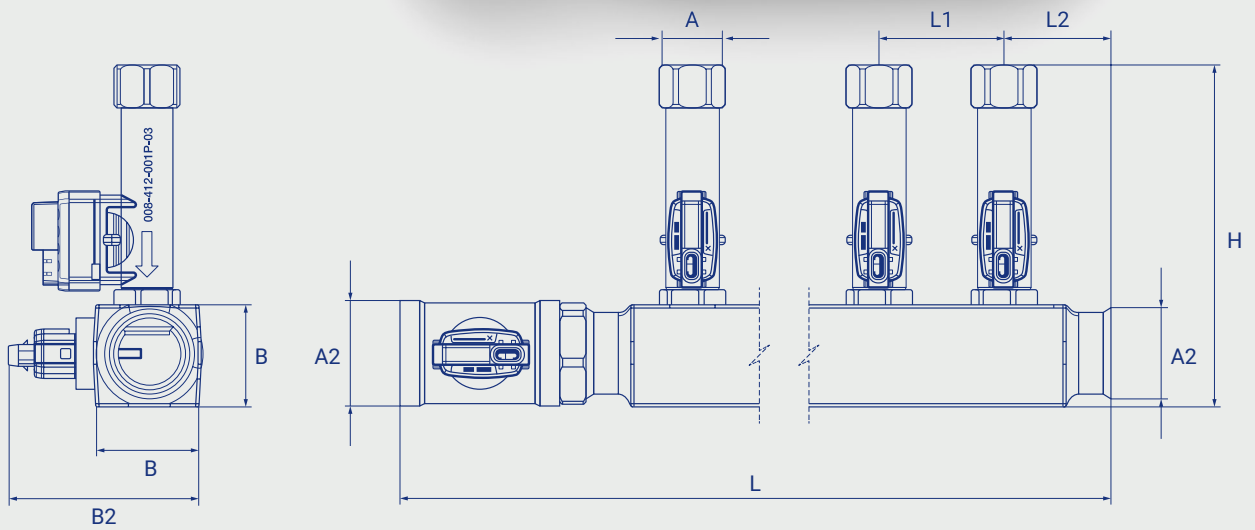
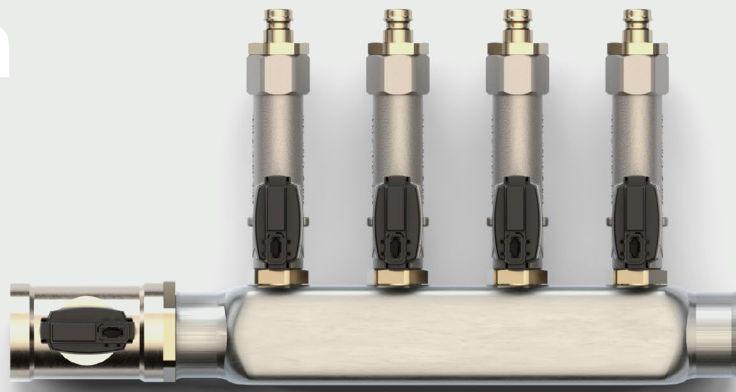
1" Manifold	Flow sensor range option (l/m)			Ports	A	A2	Length / mm /	Length 1 / mm /	Length 2 / mm /	B / mm /	Height / mm /	
	0,6-12**	1-20	2-40									
PART NO.	0,6-12**	1-20	2-40	Ports	A	A2	Length / mm /	Length 1 / mm /	Length 2 / mm /	B / mm /	Height / mm /	
F2M4-x-xx	.	.	.	4	1/2"	1"	315	50	45	40	140	120°C
F2M4HT-x-xx	.	.	.	4	1/2"	1"	315	50	45	40	140	160°C
F2M6-x-xx	.	.	.	6	1/2"	1"	415	50	45	40	140	120°C
F2M6HT-x-xx	.	.	.	6	1/2"	1"	415	50	45	40	140	160°C
F2M8-x-xx	.	.	.	8	1/2"	1"	515	50	45	40	140	120°C
F2M8HT-x-xx	.	.	.	8	1/2"	1"	515	50	45	40	140	160°C
F2M10-x-xx	.	.	.	10	1/2"	1"	615	50	45	40	140	120°C
F2M10HT-x-xx	.	.	.	10	1/2"	1"	615	50	45	40	140	160°C
F2M12-x-xx	.	.	.	12	1/2"	1"	715	50	45	40	140	120°C
F2M12HT-x-xx	.	.	.	12	1/2"	1"	715	50	45	40	140	160°C

1.1/4" Manifold	Flow sensor range option (l/m)			Ports	A	A2	Length / mm /	Length 1 / mm /	Length 2 / mm /	B / mm /	Height / mm /	
	0,6-12**	1-20	2-40									
PART NO.	0,6-12**	1-20	2-40	Ports	A	A2	Length / mm /	Length 1 / mm /	Length 2 / mm /	B / mm /	Height / mm /	
F2M4-L-x-xx	.	.	.	4	1/2"	1.1/4"	315	50	45	50	150	120°C
F2M4HT-L-x-xx	.	.	.	4	1/2"	1.1/4"	315	50	45	50	150	160°C
F2M6-L-x-xx	.	.	.	6	1/2"	1.1/4"	415	50	45	50	150	120°C
F2M6HT-L-x-xx	.	.	.	6	1/2"	1.1/4"	415	50	45	50	150	160°C
F2M8-L-x-xx	.	.	.	8	1/2"	1.1/4"	515	50	45	50	150	120°C
F2M8HT-L-x-xx	.	.	.	8	1/2"	1.1/4"	515	50	45	50	150	160°C
F2M10-L-x-xx	.	.	.	10	1/2"	1.1/4"	615	50	45	50	150	120°C
F2M10HT-L-x-xx	.	.	.	10	1/2"	1.1/4"	615	50	45	50	150	160°C
F2M12-L-x-xx	.	.	.	12	1/2"	1.1/4"	715	50	45	50	150	120°C
F2M12HT-L-x-xx	.	.	.	12	1/2"	1.1/4"	715	50	45	50	150	160°C

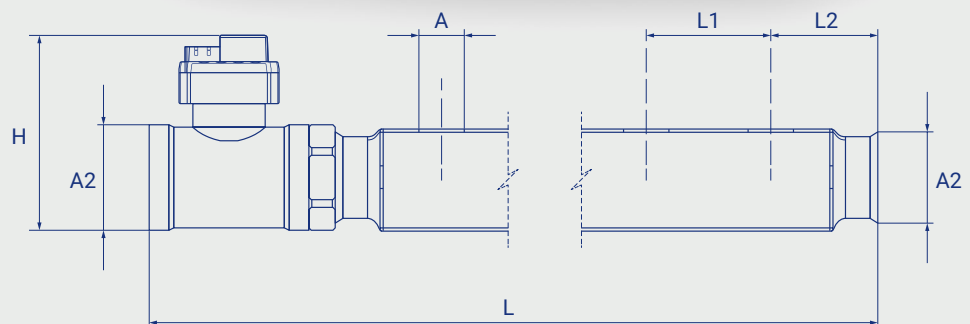
HT - High temperature

** Available from Q4.2021

Return



Flow



ACCESSORIES

Manifold / Extension cable

PART NO.	Connection	Length (mm)
FS-3P-EC1000	M8/M8/3P	1000
FS-3P-EC2000	M8/M8/3P	2000
FS-3P-EC5000	M8/M8/3P	5000
FS-3P-EC10000	M8/M8/3P	10000



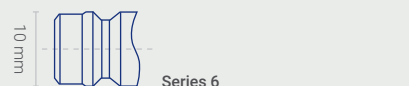
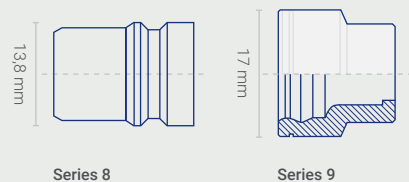
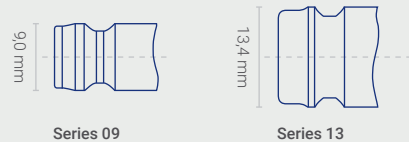
Blanking Plug

PART NO.	Connection	Seal
SSEC1	1" BSPP	FKM
SSEC1-1/4	1-1/4" BSPP	FKM



Port Connector Plugs

PART NO.	Connection	Size/Series
09NRF	R 1/2"	09 EURO Style
13NRF	R 1/2"	13 EURO Style
20NRF	R 1/2"	20 Int. Style
30NRF	R 1/2"	30 Int. Style
08NRF	R 1/2"	French Type Style
F9NRF	R 1/2"	French Matic Style
06NRF	R 1/2"	06 Scandinavian Style
10MF	R 1/2"	10 mm Hosetail
13MF	R 1/2"	13 mm Hosetail
25MF	R 1"	25 mm Hosetail
38MF	R 1"	38 mm Hosetail



SPECIFICATION

Supplied as a pair of manifolds

- one feed Manifold with Pressure and Temperature Sensor
- one return Manifold with Flow, Temperature and Pressure Sensor



FLOW	Standard Sensor	HT Sensor
Measuring range	0,6-12 l/min (0,16-3,7 gpm)	0,6-12 l/min (0,16-3,7 gpm)
	1-20 l/min (0,27-5,2 gpm)	1-20 l/min (0,27-5,2 gpm)
	2-40 l/min (0,53-10,4 gpm)	2-40 l/min (0,53-10,4 gpm)
Accuracy	($\pm 1 \sigma$) in water, $\pm 1 \%$ FS	($\pm 1 \sigma$) in water, $\pm 1 \%$ FS
TEMPERATURE		
Measuring range	0-120 °C (32-248 °F)	0-160°C (32-320°F)
Accuracy	15-90 °C (59-194 °F) ± 0.5 K	15-90 °C (59-194 °F) ± 0.5 K
	0-120 °C (32-248 °F) ± 1 K	0-120 °C (32-248 °F) ± 1 K
		120-160 °C (248-320 °F) ± 2 K
PRESSURE		
Measuring range	0-10 bar (0-145 psi)	
Accuracy	$\pm 2.5 \%$ FS	





Distributor

MOULDPRO APS

Baltorpbakken 10
DK-2750 Ballerup, Denmark
Phone: **+45 7020 3131**

www.mouldpro.com